

Beacons

Solista LX Ceiling
Australian Standard



The Solista LX Ceiling has a unique lens design that distributes the light in a cylindrical shape to achieve the required illumination specified by AS ISO7240.23:2014. Designed for installation at a height of up to 3m and with a discrete appearance, the device is ideal for a variety of applications, including bedrooms, bathrooms and toilets.

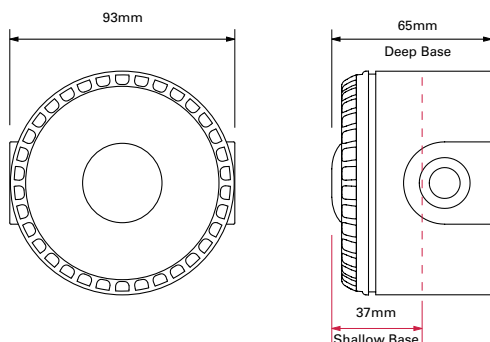
Features

- Ultra low current consumption of 10mA
- Up to 7.5m coverage volume
- 0.5Hz or 1Hz Flash rate
- Coverage switch to 3m

Benefits

- Use where current consumption is a key consideration
- Ideal for bedrooms, bathrooms and toilets
- Switch flash rate to 0.5Hz to reduce current consumption
- Reduces power consumption by up to 50%

Dimensions



Technical Specification

Mounting Type	Ceiling
Voltage	9 - 60VDC
Current	10 - 25mA dependent on setting
Coverage (y)	7.5m (Switchable to 3m)*
Mounting Height (x)	3m (max)
Coverage Volume Code	C-3-7.5
Coverage Volume	132m ³ (21m ³)
Flash Rate	1Hz (Switchable to 0.5Hz)
Operating Temperature	-25°C to +70°C
Monitoring	Reverse Polarity
Protection	IP33C Shallow Base IP65 Deep and U Base
Weight	100g
Body Colour	White or Red
Flash Colour	White or Red

* CNPP test results

Solista LX Ceiling Red



Reference

BS-SOL-LX-C-RF-R1-S
BS-SOL-LX-C-RF-W1-S
BS-SOL-LX-C-WF-R1-S
BS-SOL-LX-C-WF-W1-S

Description

Solista LX Ceiling, Red Flash, Red Body, Shallow Base
Solista LX Ceiling, Red Flash, White Body, Shallow Base
Solista LX Ceiling, White Flash, Red Body, Shallow Base
Solista LX Ceiling, White Flash, White Body, Shallow Base